

T170 Explosion Proof Motorized Regulator

- High Flow Capacity
- Power Is Not Required for Operation
- Explosion Proof
- Field Adjustable Limit Switch

The Type 170 Motorized Pressure Regulator (M/P) is an electronic pressure regulator designed for use in Hazardous Area valve control in the Oil and Gas industry.

The T170 utilizes a DC Stepper Motor to turn a gear-driven range screw, which compresses the range spring on a Type 70 Precision Pressure Regulator. User-adjustable limit switches prevent motor operation beyond desired pressure limits. The T170 provides powerful speed-turning capabilities. Ultra-slow speed provides up to 13,000 steps full-scale for super-fine DC-stepper resolution. Fast speed provides 10-second Open/Close operation.

Applications

- Custody Transfer
- Remote Low-power Valve Control
- Fine Resolution Valve Control
- Oil & Gas Custody Transfer Stations
- Oil & Gas Well-Heads

Specifications

| | T170 |
|---|-------------|
| Power | 12-24 VDC |
| Signal (applied to either INCREASE or DECREASE wires) | 12-24 VDC |
| Maximum Supply Pressure | 150 psig |
| Output Pressure Range | 0.5-30 psig |
| Flow Capacity (100 psig supply; 20 psig setpoint) | 40 SCFM |
| Exhaust Flow Capacity (5 psig over 20 psig setpoint) | 15 SCFM |
| Weight | 7.25 lbs. |



Hazardous Area & Usage Classification

Explosion proof for Class I, Division 1, Groups B, C and D; Dust-ignitionproof for Class II, III, Division 1, Groups E, F and G hazardous (classified) locations, with an environmental rating of Type 4X, IP66. For use with air or natural gas at a maximum operating supply pressure of 150 PSI.

XP/I/1/BCD/T3C Ta = 85 °C;
DIP/II/III/1/EFG/T3C Ta = 85 °C; Type 4X, IP66



Part Numbers

| | Part Number | |
|------|--------------|-----------|
| T170 | 1/4 NPT Port | 960522000 |
| | 3/8 NPT Port | 960523000 |
| | 1/2 NPT Port | 960524000 |

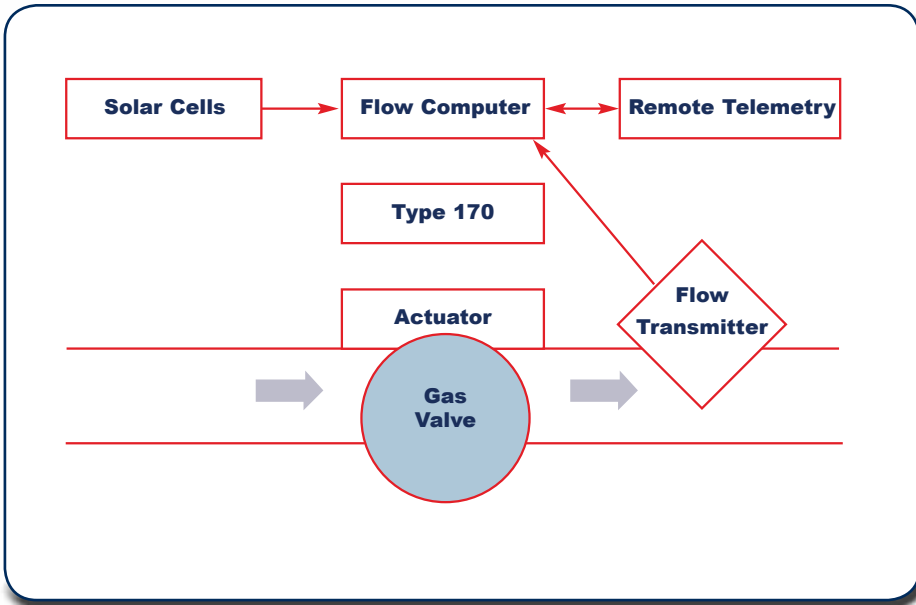
Mounting Kits

| | Part Number | |
|----------------------|-------------|--|
| Valve Mounting Kit* | 010 134 000 | * Valve Mounting Kit comes standard with each unit |
| 2" Pipe Mounting Kit | 010 143 000 | |
| Panel Mounting Kit | 010 135 000 | |

Port Sizes

| Pneumatic Ports | "In" & "Out" Ports 1/4, 3/8, or 1/2 NPT |
|---------------------|---|
| | Gauge Ports 1/4 NPT |
| Electrical Conduits | 3/4" NPT |

T170 Application Drawing



T170 Dimensions

