

# P143 Relieving Gas Pressure Regulator

- Versatile
- Control Accuracy
- Compact Design
- Low Pressure Cut-off

The BelGAS P143 pressure regulator is ideal for natural gas, air, propane and general purpose gas pressure regulation. Uses include commercial, residential and light industrial for burners and unit heaters. The P143 has an internal relief device and is available in the low pressure cut off – LPCO – version.



## Applications

Applicable to a wide range of gases, including air, natural gas and propane.

- Natural Gas
- Propane
- Generators
- Small Boilers/Heaters
- Rooftop HVAC Units
- Burners

## Materials of Construction

	P143
Body, Bonnet	Iron, Aluminum
Diaphragm	Nitrile
Diaphragm Assembly	Zinc/Nitrile
Gaskets	Non-asbestos, CGR 2750
Pin	Stainless Steel
Vent screen	Stainless Steel
Spring	Zinc-Plated Steel
Diaphragm Piston	Zinc-Plated Steel

## Max Inlet Pressure (PSIG)

Orifice	LPCO	Standard
1/8		125
3/16		125
1/4	60	60
5/16	40	40
3/8	25	40
7/16	15	—
1/2		20
5/8		10

## Specifications

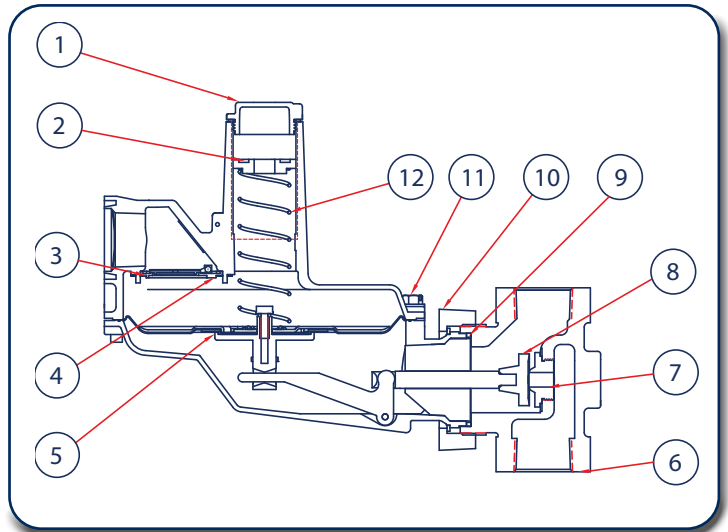
P143	
Inlet / Outlet	3/4" x 3/4", 3/4" x 1", 1" x 1", 1" x 1-1/4", 1-1/4" x 1-1/4"
Maximum allowable inlet pressure	See Chart
Temperature Range	-20°F to 150 °F
Approximate Weight	5.63 lb.                      2.6 kg.

## P143 Part Matrix

P143	↑	↑	↑	↑	↑	↑	↑	0	0
<b>C</b>									Low Pressure Cut Off
<b>S</b>									Standard
									Body Size
<b>06</b>									3/4 x 3/4 NPT Ports
<b>07</b>									3/4 x 1 NPT Ports
<b>08</b>									1 x 1 NPT Ports
<b>09</b>									1 x 1-1/4 NPT Ports
<b>12</b>									1-1/4 x 1-1/4 NPT Ports
									Spring Ranges
<b>020</b>									Red Spring LPCO      Red Spring Standard 4.5" – 7.5" WC      3.5" – 6.5" WC
<b>040</b>									Blue Spring LPCO      Blue Spring Standard 6" – 9.5" WC      5" – 8.5" WC
<b>060</b>									Green Spring LPCO      Green Spring Standard 7.5" – 15" WC      6" – 14" WC
<b>080</b>									Orange Spring LPCO      Orange Spring Standard 13.5" – 29" WC      12" – 28" WC
<b>100</b>									Purple Spring 1/2 – 2 PSIG (Standard Only)
<b>120</b>									Yellow Spring 1/2 – 3 PSIG (Standard Only)
<b>140</b>									Black Spring 2 – 6 PSIG (Standard Only)
									Orifice Size
<b>2</b>									1/8" (Standard Only)
<b>3</b>									3/16" (Standard Only)
<b>4</b>									1/4"
<b>5</b>									5/16"
<b>6</b>									3/8"
<b>7</b>									7/16" (LPCO Only)
<b>8</b>									1/2" (Standard Only)
<b>A</b>									5/8" (Standard Only)
									Body Position
<b>1</b>									Up Position
<b>2</b>									Down Position
<b>3</b>									Right Position
<b>4</b>									Left Position
									Vent Position
<b>C</b>									12 Position
<b>D</b>									3 Position
<b>E</b>									6 Position
<b>F</b>									9 Position

## P143 Standard Parts

Item	Description		Part Number
1	Bonnet Cap	With gasket for Standard, acetal	610-065-000/ 662-230-000
2	Adjustment Screw, Acetal		648-528-000
3	Vent	Subassembly	822-036-000
4	Collar (2 required)		612-008-000
5	Diaphragms		
	Standard Diaphragm, plate & washer nitrile		804-265-001
6	Standard Bodies	3/4" x 3/4" Port Iron	664-357-000
		3/4" x 1" Port Iron	664-357-002
		1" x 1" Port Iron	664-357-001
		1" x 1-1/4" Port Iron	664-357-003
		1-1/4" x 1-1/4" Port Iron	664-357-004
7	Standard Orifice - Aluminum	1/8"	688-053-000
		3/16"	688-053-001
		1/4"	688-053-002
		5/16"	688-053-003
		3/8"	688-053-004
		1/2"	688-053-005
		5/8"	688-053-006
8	Main Seat, nitrile		650-168-000
9	Square Ring		662-226-000
10	Housing Nut & Retaining Ring,		803-073-000
11	Build Screws, plated steel (8 required)		648-529-000
12	Range Springs	3.5"-6.5" WC Red, Plated Steel	655-723-000
		5"-8.5" WC Blue, Plated Steel	655-723-001
		6"-14" WC Green, Plated Steel	655-723-002
		12"-33" WC Orange, Plated Steel	655-723-003
	Range Springs (Not for use in LPCO)	.5-2 PSI - Purple, Plated Steel	655-723-004
		.5-3 PSI - Yellow, Plated Steel	655-723-005
		2-6 PSI - Black, Plated Steel	655-723-006



## P143 Standard Model Flow Capacities

Capacity\* in SCFH Natural Gas  
(0.6 specific gravity – 14.65 PSIG – 65°F)

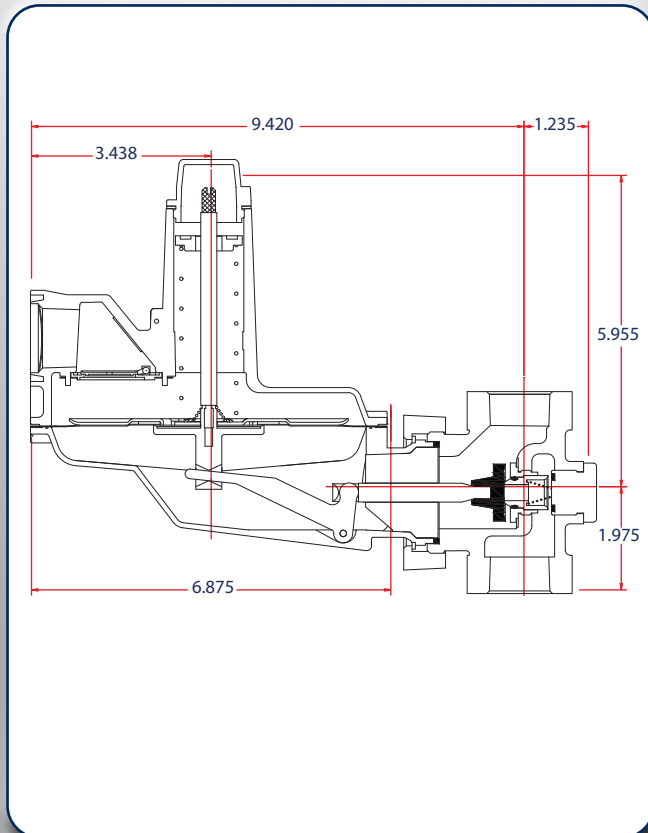
Body Size 3/4" x 3/4"							
Inlet	Orifice						
PSIG	1/8"	3/16"	1/4"	5/16"	3/8"	1/2"	5/8"
1/2	-	-	-	-	340	450	510
1	-	-	-	480	500	510	530
2	-	-	530	560	570	580	600
3	-	420	600	560	630	650	670
5	250	560	700	720	730	770	790
7.5	310	700	840	860	880	900	900
10	370	830	950	970	1000	1020	1020
20	530	1200	1220	1240	1250	1270	-
40	860	1570	1330	1340	1450	-	-
60	1200	1660	1520	-	-	-	-
80	1500	1710	-	-	-	-	-
125	1800	1900	-	-	-	-	-

Body Size 3/4" x 1" • 1" X 1"							
Inlet	Orifice						
PSIG	1/8"	3/16"	1/4"	5/16"	3/8"	1/2"	5/8"
1/2	-	-	-	-	350	460	520
1	-	-	-	480	550	600	650
2	-	-	530	700	840	880	780
3	-	420	650	870	1000	920	810
5	250	580	890	1120	1160	950	970
7.5	310	700	1140	1340	1270	1140	1060
10	370	840	1360	1500	1330	1200	1180
20	530	1230	2000	1600	1480	1400	-
40	860	1700	2000	1640	1900	-	-
60	1200	1900	2000	-	-	-	-
80	1540	2000	-	-	-	-	-
125	2100	2100	-	-	-	-	-

Body Size 1" X 1-1/4" • 1-1/4" X 1-1/4"							
Inlet	Orifice						
PSIG	1/8"	3/16"	1/4"	5/16"	3/8"	1/2"	5/8"
1/2	-	-	-	-	350	460	520
1	-	-	-	480	550	680	760
2	-	-	530	700	840	1020	1030
3	-	420	650	870	1030	1200	1050
5	250	580	890	1180	1350	1490	1060
7.5	310	700	1140	1500	1610	1580	1060
10	370	840	1360	1700	1710	1800	1180
20	630	1230	1600	1800	1900	1900	-
40	860	1800	2200	1900	2000	-	-
60	1200	2100	2400	-	-	-	-
80	1550	2200	-	-	-	-	-
125	2250	2400	-	-	-	-	-

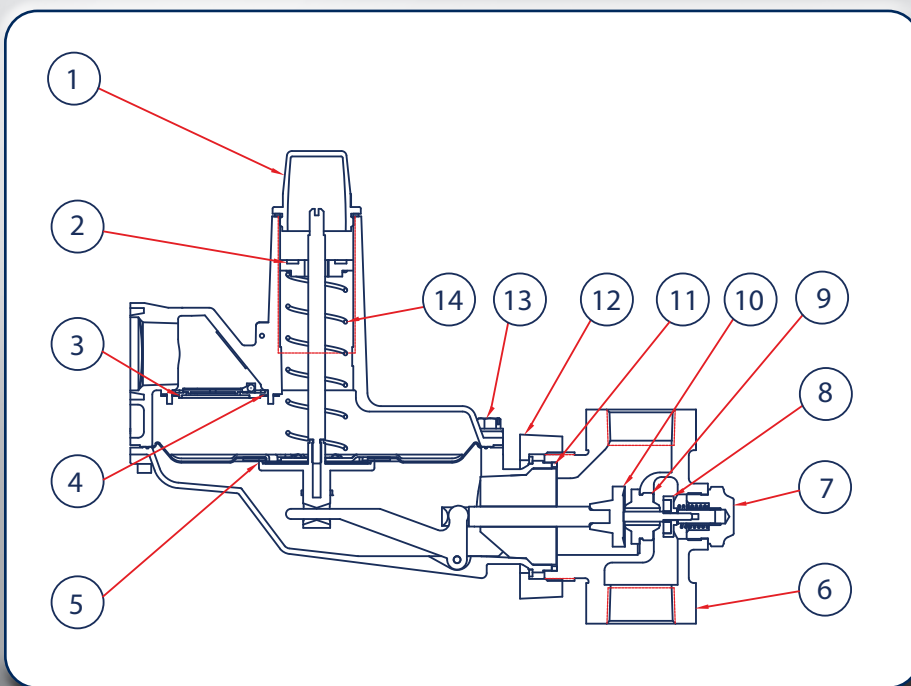
\*Consult manufacturer for test conditions

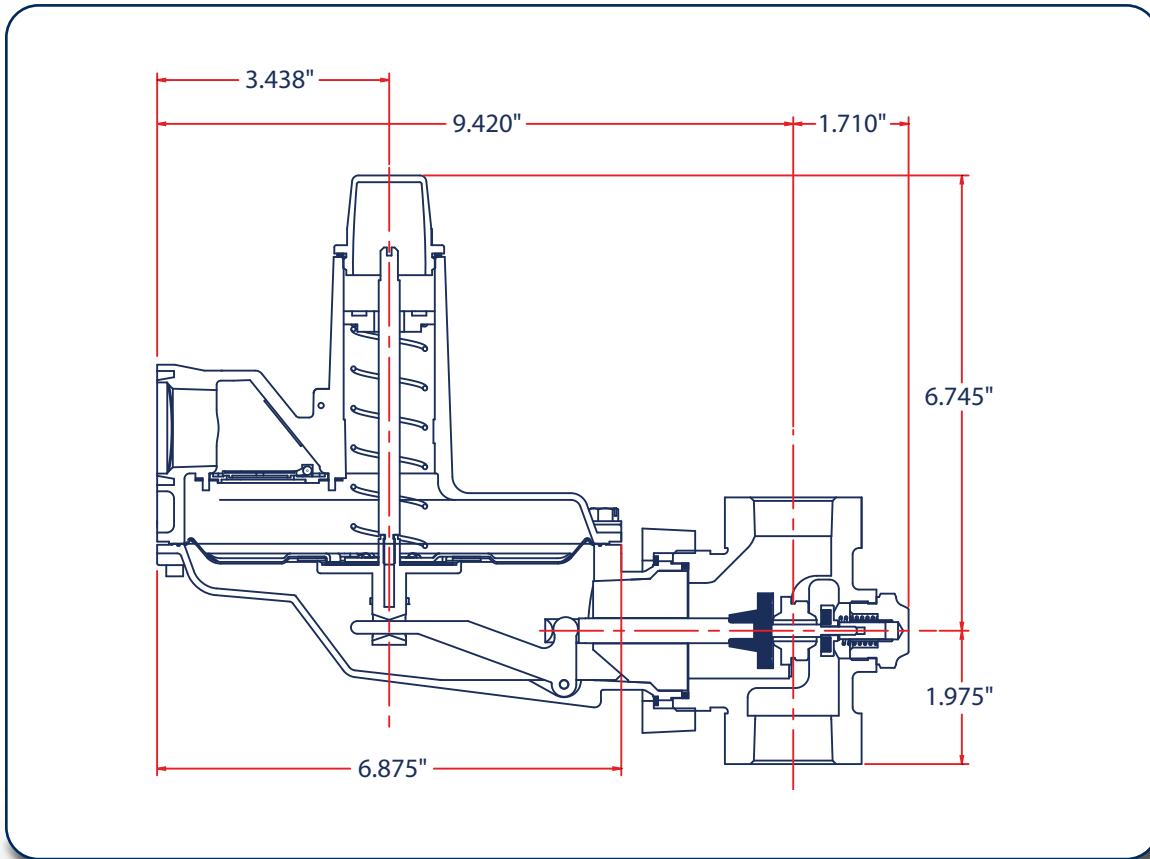
## P143 Standard Dimensions



## P143 Low Pressure Cut Off Parts

Item	Description		Part Number
1	Bonnet Cap	With gasket for LPCO, Aluminum	610-062-000/ 662-230-000
2	Adjustment Screw, Acetal		648-528-000
3	Vent	Collar (2 required)	612-008-000
4		Subassembly	822-036-000
5	Diaphragms		
	LPCO Diaphragm, plate & washer, nitrile		804-265-000
6	LPCO Bodies	3/4" x 3/4" Port Iron	664-351-000
		3/4" x 1" Port Iron	664-351-002
		1" x 1" Port Iron	664-351-001
		1" x 1-1/4" Port Iron	664-351-003
		1-1/4" x 1-1/4" Port Iron	664-351-004
7	LPCO Bottom Plug Assembly		819-008-000
8	LPCO Cutoff Seat Assembly		810-043-000
9	LPCO Orifice - Aluminum	1/4" - Double Sided	688-052-000
		5/16" - Double Sided	688-052-001
		3/8" - Double Sided	688-052-002
		7/16" - Double Sided	688-052-003
10	Main Seat, nitrile		650-168-000
11	Square Ring		662-226-000
12	Housing Nut & Retaining Ring		803-073-000
13	Build Screws, plated steel (8 required)		648-529-000
14	Range Springs	4.5"-7.5" WC Red, Plated Steel	655-723-000
		6"-9.5" WC Blue, Plated Steel	655-723-001
		7.5"-15" WC Green, Plated Steel	655-723-002
		13.5"-29" WC Orange, Plated Steel	655-723-003





**P143 LPCO Flow Capacities**

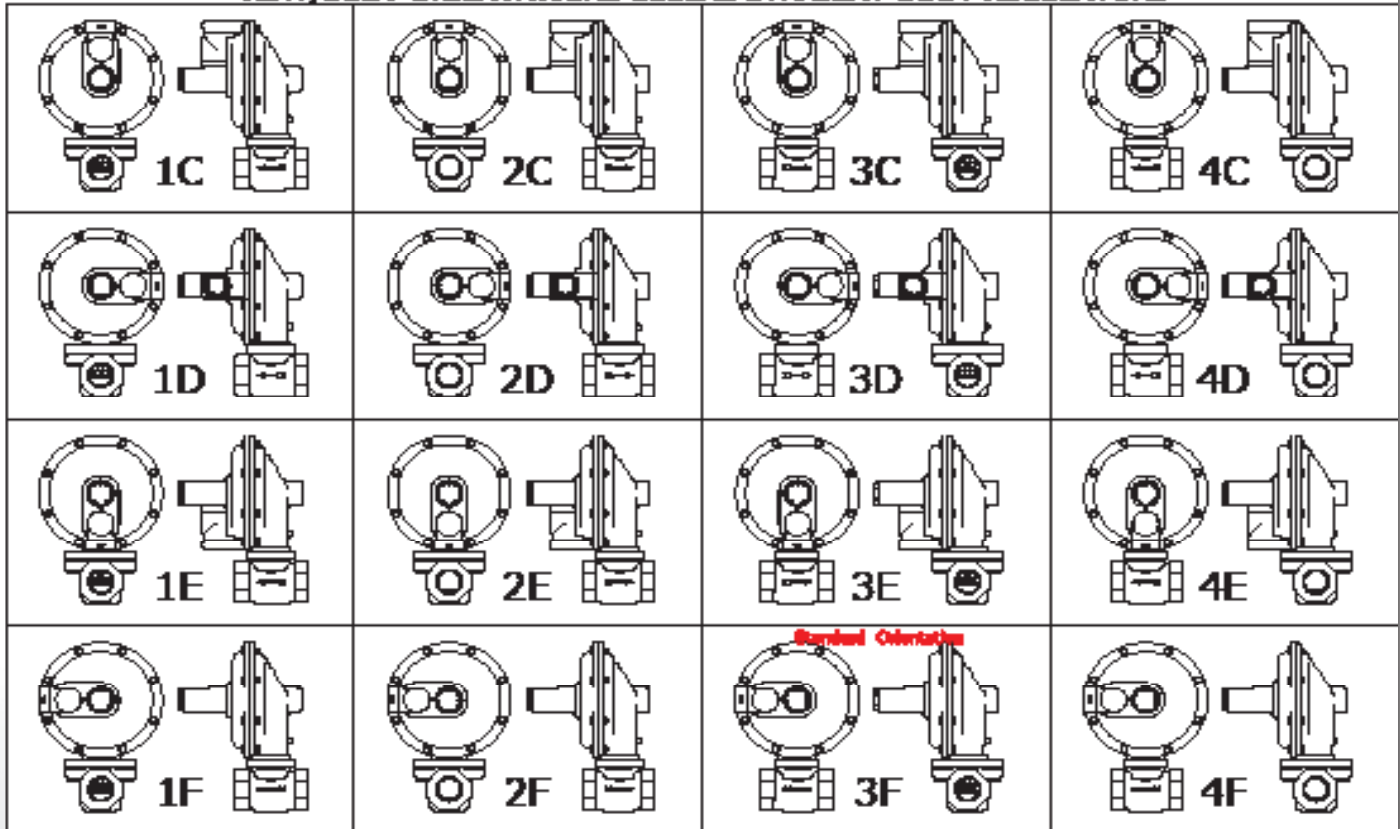
Capacity\* in SCFH Natural Gas  
(0.6 specific gravity – 14.65 PSIG –65°F)

Pipe Size (inches)	Inlet Pressure (PSIG)		Outlet Pressure Red Spring 4 – 7-1/2" WC Blue Spring 6-1/2" – 9-1/2" WC				Outlet Pressure Green Spring 7-1/2 – 15" WC			
			Orifice Size, Inches				Orifice Size, Inches			
			7/16	3/8	5/16	1/4	7/16	3/8	5/16	1/4
3/4" x 3/4"	1/2	.034	240	180	90		140	120	90	
	1	.068	400	300	200	100	250	200	160	90
	2	.137	580	420	300	140	370	320	240	140
	5	.344	800	750	600	230	580	530	460	220
	10	.684	1050	990	740	380	780	720	700	370
	15	1.03	1140	1050	950	46	920	860	800	480
	25	1.72		1100	1100	640		900	1000	660
	40	2.75			1300	870			1300	910
	60	4.14				1160				1160
3/4" x 1" 1" x 1"	1/2	.034	270	210	90		160	120	90	
	1	.068	430	310	210	100	260	230	160	90
	2	.137	650	420	300	140	410	350	270	140
	5	.344	1100	750	610	230	800	730	470	220
	10	.684	1300	1120	760	380	1220	1090	740	370
	15	1.03	1300	1300	960	460	1300	1300	930	480
	25	1.72		1300	1300	640		1300	1160	660
	40	2.75			1300	870			1300	910
	60	4.14				1160				1160
1" x 1-1/4" 1-1/4" x 1-1/4"	1/2	.034	270	210	90		160	120	90	
	1	.068	430	310	210	100	260	230	160	90
	2	.137	650	420	300	140	430	350	270	140
	5	.344	1100	750	510	230	870	730	470	220
	10	.684	1300	1120	760	380	1300	1090	740	370
	15	1.03	1300	1300	960	460	1300	1300	930	480
	25	1.72		1300	1300	640		1300	1160	660
	40	2.75			1300	870			1300	910
	60	4.14				1160				1160

\*Consult manufacturer for test conditions

## Straight Body Orientations

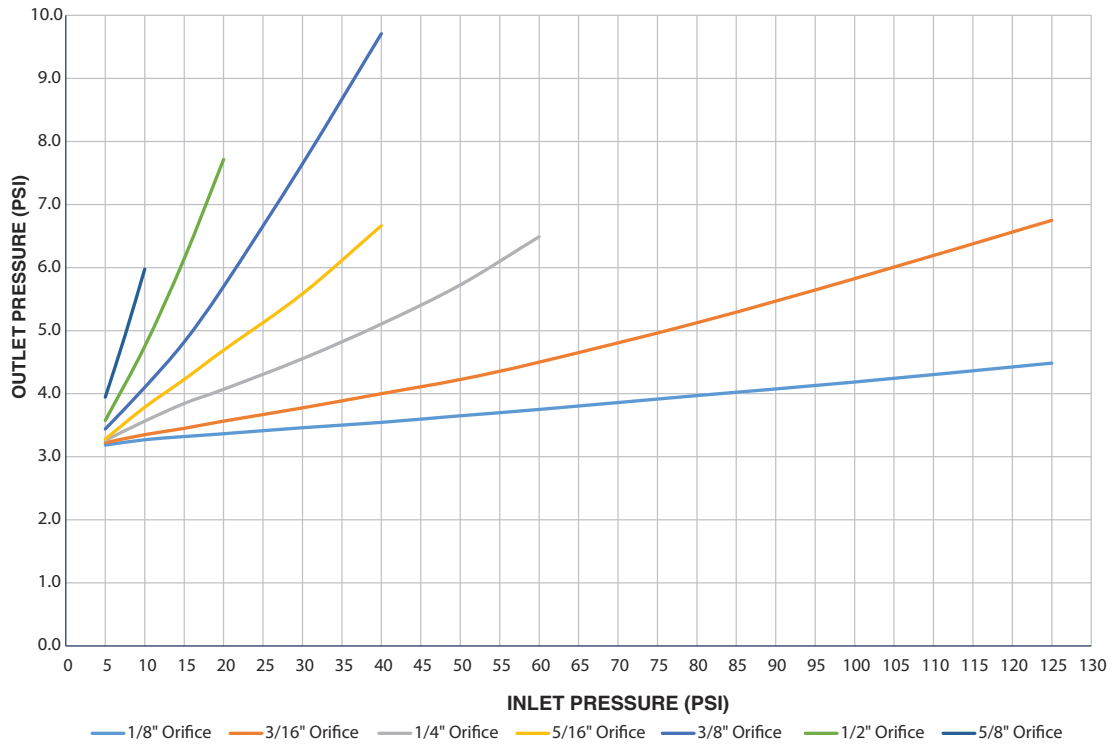
### VENT/BODY ORIENTATIONS BELGAS STRAIGHT BODY REGULATORS



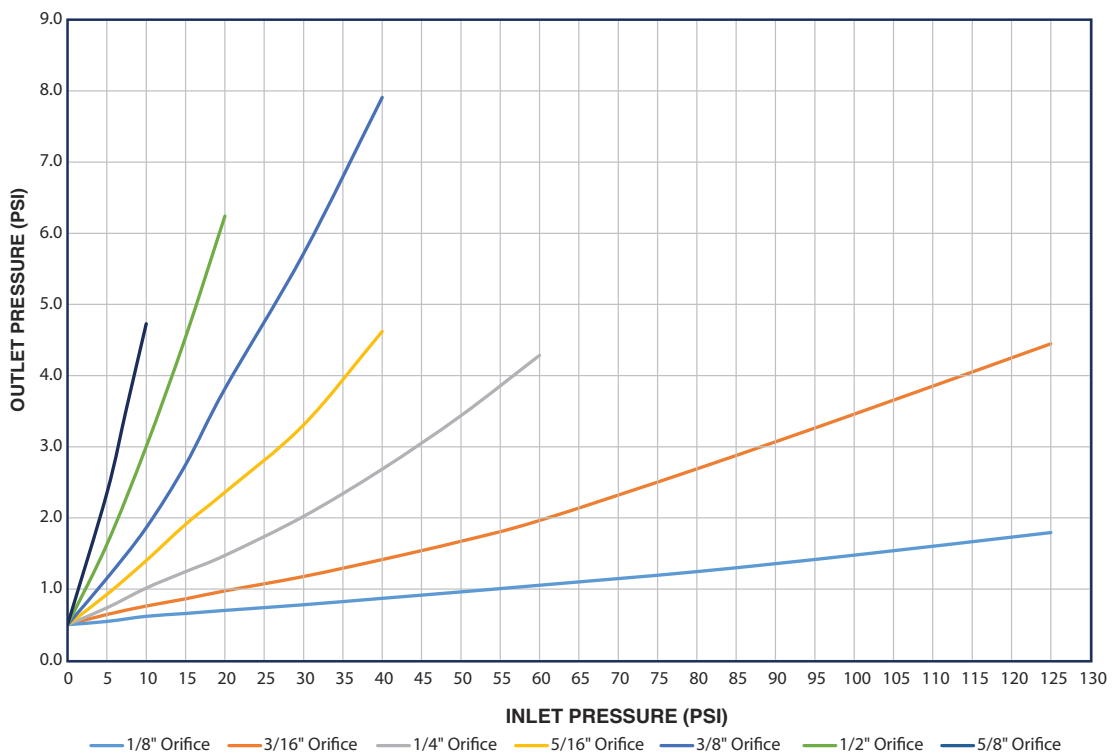
NUMBER = BODY ORIENTATION, 1-UP, 2-DOWN, 3-RIGHT, 4-LEFT

LETTER = VENT CLOCK POSITION, C-12, D-3, E-6, F-9

P143 RELIEF CURVES 2 PSIG SET POINT, LEVER DISCONNECT



P143 RELIEF CURVES 7" W.C. SET POINT, LEVER DISCONNECT



# BelGAS

A Division of the Marsh Bellofram Group of Companies

8019 Ohio River Blvd.  
Newell, WV 26050  
(304) 387-1200 | [www.belgas.net](http://www.belgas.net)



## BelGAS Website

With decades of proven market experience, the BelGAS division of Marsh Bellofram is a global leader in the design and manufacturing of high pressure regulators, low pressure regulators, and other flow control products. Scan the QR or visit our website at <https://bit.ly/BelGAS>



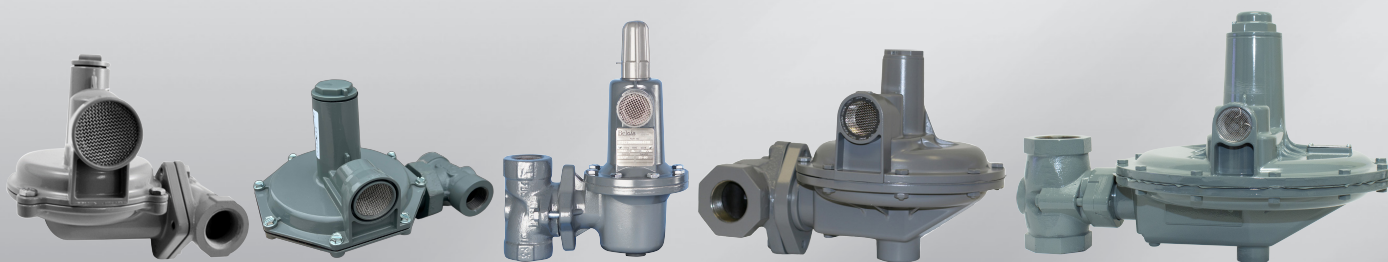
## BelGAS Regulator Sizing Wizard

Need help finding the right regulator for your application? Check out the BelGAS Regulator Sizing Wizard - an interactive online tool that makes it easier than ever to precisely match a regulator with your specifications. Scan the QR code or visit our website at <https://bit.ly/BelGAS-Wizard>



## BelGAS Videos

Interested in learning more about what BelGAS has to offer? Visit our YouTube channel and check out the BelGAS playlist for How-Tos, product overviews, and more! Scan the QR code or watch the videos on our YouTube channel at <https://bit.ly/BelGAS-YouTube-List>



The contents of this publication are presented for informational purposes only. Although we have made reasonable efforts to give information that we believe is up-to-date and accurate, we make no representations or warranties regarding its adequacy, accuracy, completeness, or correctness. We do not warrant or represent that the information is complete in every respect. Our terms and conditions, which are available upon request, govern all sales. We reserve the right to modify or improve the designs and specifications of our products, and the information contained in this document is subject to change without notice.

We reserve the right to modify or improve the designs or specifications of our products and the information contained in this document is subject to change without notice. The user is solely responsible for making the final selection of the product and assuring that all installation, performance, endurance, maintenance, safety, and warning requirements of the product are met. Final product recommendations should be verified by a gas professional.

BelGAS does not assume responsibility for its products' selection, use, or maintenance. Neither BelGAS nor its suppliers shall be liable for any loss or damage to the user or third parties caused by the product, the confidential information of BelGAS, or BelGAS's performance of these terms.