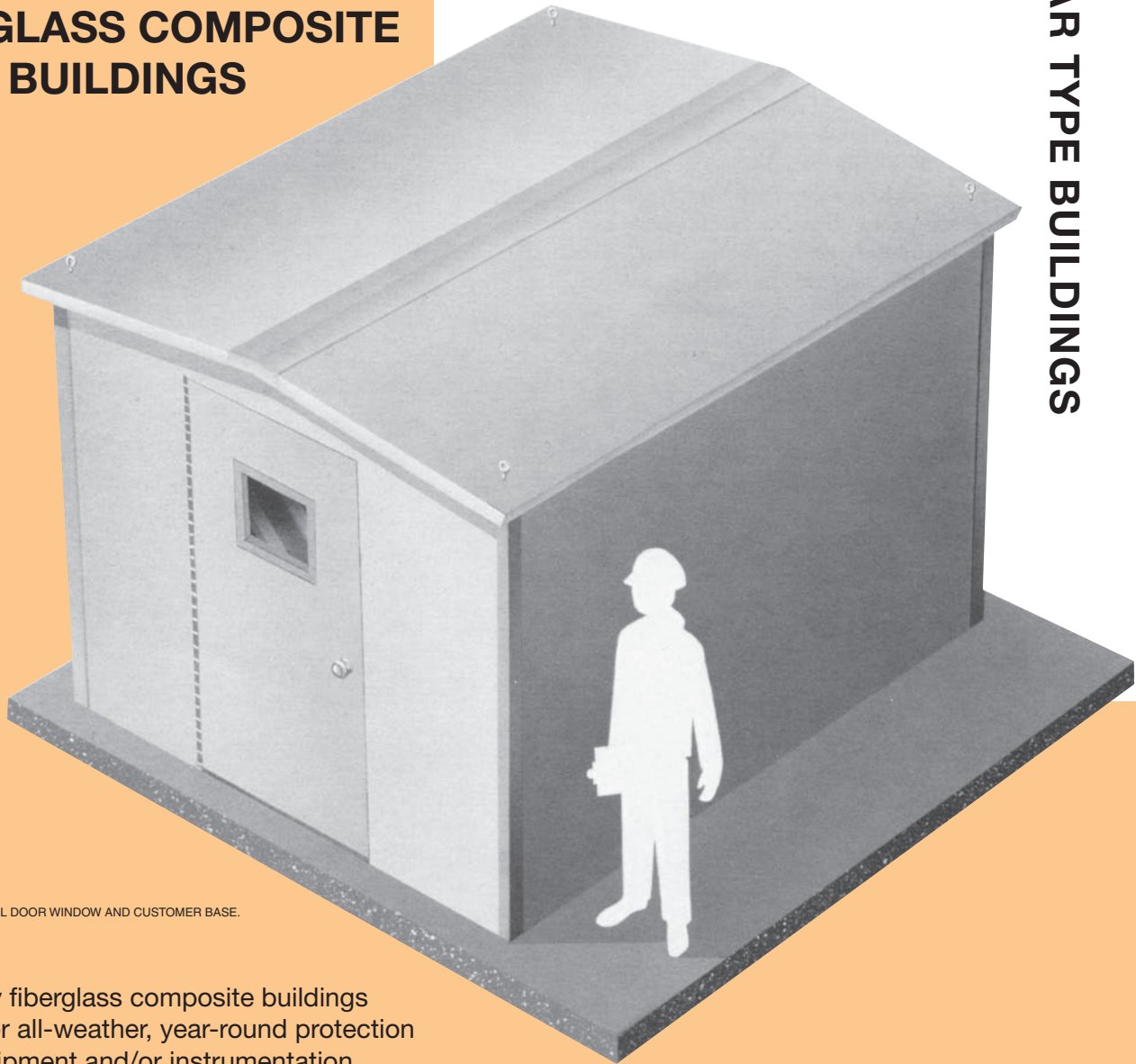


**ALL WEATHER  
MODULAR TYPE  
FIBERGLASS COMPOSITE  
BUILDINGS**



SHOWN WITH OPTIONAL DOOR WINDOW AND CUSTOMER BASE.

High quality fiberglass composite buildings designed for all-weather, year-round protection of your equipment and/or instrumentation.

Corrosion resistant materials of construction for long life.

Modular type construction for flexibility and variations in sizing and design.

Virtually maintenance free.

Insulated to reduce heating/cooling costs.

Light weight for easy installation.

Numerous sizes and optional equipment items are available to meet your requirements.

Fast delivery on many sizes.



## APPLICATIONS

EFC all-weather, modular type fiberglass reinforced polyester buildings are well suited to house and protect equipment for a wide variety of applications such as:

- Chlorination and dechlorination systems
- Chemical and polymer feed systems
- Analyzer equipment
- Sampling equipment
- Pollution monitoring equipment
- Electronic and communications equipment
- Marine and fire fighting equipment
- Pumps, motors and generators
- Safety showers

## CONSTRUCTION

EFC all-weather modular type fiberglass reinforced polyester building panels are fabricated of composite construction consisting of:

High grade fiberglass reinforced plastic sheeting material which is fastened and bonded to each side of a structural wooden framework.

Fiberglass sheeting material is USDA accepted, has a super-tough (superior impact resistance), nonporous surface with a textured (pebble type) finish. Standard sheeting material is .090" thick with white color pigmented throughout its entire thickness. An ultraviolet stabilizer is added to retard discoloration.

1½" thick, self extinguishing, polyisocyanurate foam insulation which is injected into the panels, between the fiberglass sheeting material. Insulation is closed cell type, 2.0#/cu.ft. density, having a K-factor of .14 BTU•in/hr•ft•°F and an R-value of 10.65. Insulation is chemically bonded to structural framework and fiberglass sheeting material.

PVC trim which is bonded to the perimeter edges of panel to completely seal panel from moisture and insects.

## CHARACTERISTICS

EFC all-weather, modular type fiberglass reinforced polyester buildings have the following characteristics:

- |                                    |                     |
|------------------------------------|---------------------|
| • Insulated composite construction | • Economical        |
| • Corrosion resistant              | • Rugged            |
| • U.V. resistant                   | • Light weight      |
| • Virtually maintenance free       | • Easy installation |

## STANDARD FEATURES/EQUIPMENT

- Peaked or sloped roof with 2" overhang all around and four (4) cadmium plated lifting eyes.
- White color (painting not required).
- Insulated with 1½" thick polyisocyanurate foam.
- Single door, 36" wide X 78" high (O.I.C.), flush-fitting, composite construction – see door construction/hardware.
- Non-corrosive fasteners, stainless steel if exposed.
- Stainless steel base mounting flanges, predrilled for ½" diameter anchor bolts.
- Closed cell neoprene rubber base mounting gasket.
- Designed to withstand 90 MPH wind load and 30 PSF snow load.
- Preassembled prior to shipment – can ship completely assembled or in knocked-down form for reassembly by others.

## DOOR CONSTRUCTION/HARDWARE

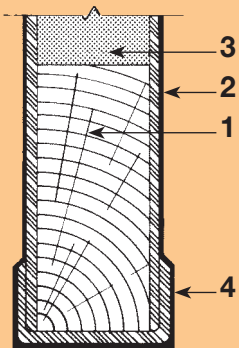
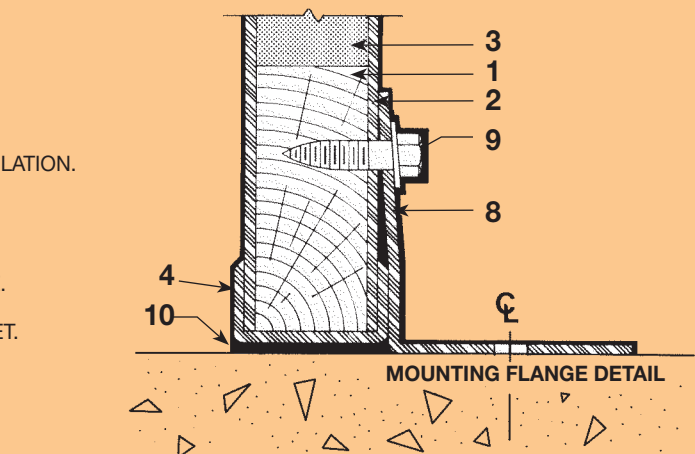
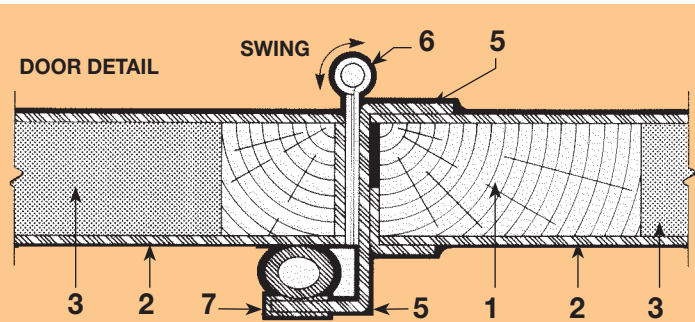
Door is fabricated of molded one-piece composite construction with 1½" thick polyisocyanurate foam insulation.

Standard single door is 36" wide X 78" high (O.I.C.) and is flush-fitting.

Door frame is of molded one-piece fiberglass construction and is bonded to building panel.

Standard Door hardware consists of:

- Continuous stainless steel piano hinge.
- Plated safety stop (crash) chain.
- Stainless steel cylindrical lockset.
- Neoprene sponge rubber gasket (weather-stripping)
- Stainless steel threshold with neoprene gasket.
- Non-corrosive fasteners.

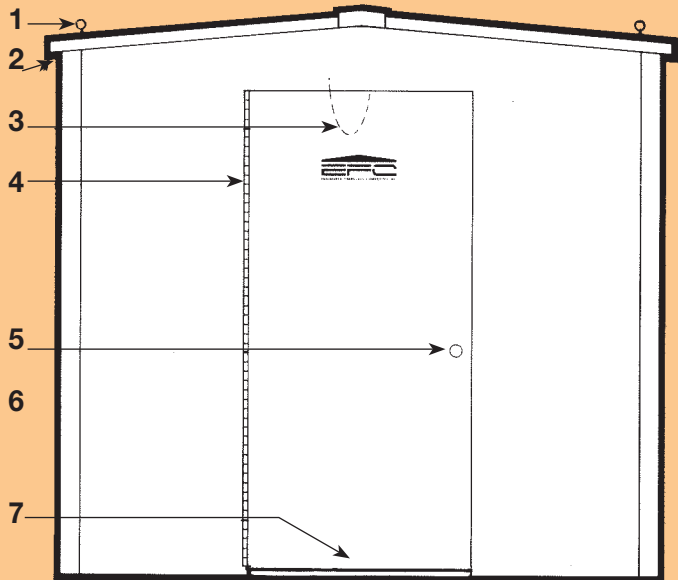


### LEGEND

1. STRUCTURAL WOODEN FRAMEWORK.
2. HIGH GRADE FRP SHEETING MATERIAL.
3. 1½" THICK POLYISOCYANURATE FOAM INSULATION.
4. PERIMETER PVC TRIM.
5. FIBERGLASS DOOR FRAME.
6. STAINLESS STEEL PIANO HINGE.
7. NEOPRENE SPONGE RUBBER GASKET.
8. STAINLESS STEEL BASE MOUNTING FLANGE.
9. 3/8" X 1½" STAINLESS STEEL LAG SCREW.
10. ½" X 2" NEOPRENE BASE MOUNTING GASKET.

PANEL DETAIL

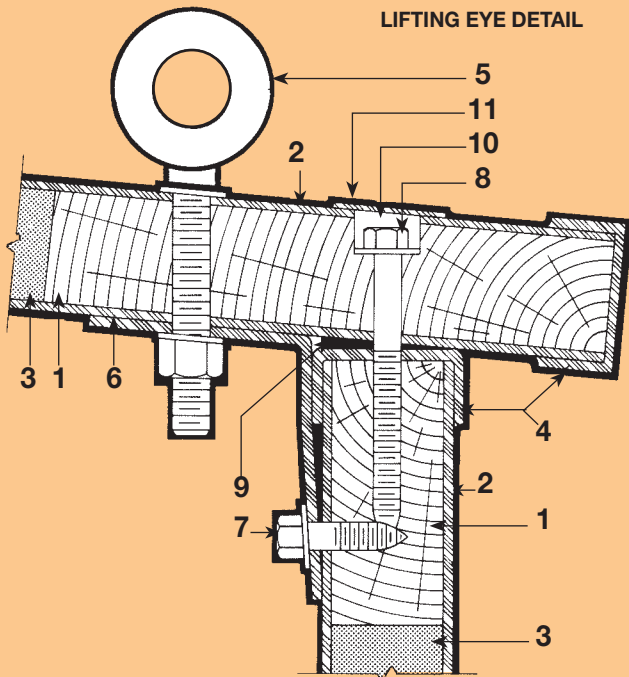
MOUNTING FLANGE DETAIL



Front View Model # EFC 96X  
(Shown with a peaked roof).

**LEGEND**

1. CADMIUM PLATED LIFTING EYE - FOUR (4) PROVIDED.
2. 2" ROOF OVERHANG - TYPICAL ALL AROUND.
3. PLATED SAFETY STOP CHAIN.
4. CONTINUOUS STAINLESS STEEL PIANO HINGE.
5. STAINLESS STEEL CYLINDRICAL LOCKSET.
6. PVC TRIM FOR CORNER TO CORNER CONNECTIONS.
7. STAINLESS STEEL THRESHOLD WITH NEOPRENE GASKET.



**LEGEND**

1. STRUCTURAL WOODEN FRAMEWORK.
2. HIGH GRADE FRP SHEETING MATERIAL.
3. 1 1/2" THICK POLYISOCYANURATE FOAM INSULATION.
4. PERIMETER PVC TRIM.
5. CADMIUM PLATED LIFTING EYE.
6. 3" X 3" STAINLESS STEEL ANGLE.
7. 3/8" X 1 1/2" STAINLESS STEEL LAG SCREW.
8. 3/8" X 3 1/2" NON-CORROSIVE LAG SCREW.
9. 1/2" X 2" NEOPRENE SPONGE RUBBER GASKET.
10. RTV INDUSTRIAL GRADE RUBBER SILICONE.
11. FIBERGLASS ROOF PLUG.

STANDARD SIZES AND WEIGHTS		Basic Weight (lbs.)	Shipping Weight	
Model #	Wide x Deep x High		Asmbl'd. (lbs.)	K-D (lbs.)
EFC-48X48	4'-0" x 4'-0" x 7'-4"	490	530	620
EFC-48X72	4'-0" x 6'-0" x 7'-4"	610	660	770
EFC-48X96	4'-0" x 8'-0" x 7'-4"	720	780	910
EFC-48X120	4'-0" x 10'-0" x 7'-4"	840	910	1060
EFC-48X144	4'-0" x 12'-0" x 7'-4"	970	1050	1220
EFC-48X168	4'-0" x 14'-0" x 7'-4"	1230	1320	1600
EFC-72X48	6'-0" x 4'-0" x 7'-5"	610	690	770
EFC-72X72	6'-0" x 6'-0" x 7'-5"	740	800	930
EFC-72X96	6'-0" x 8'-0" x 7'-5"	880	950	1100
EFC-72X120	6'-0" x 10'-0" x 7'-5"	1010	1090	1260
EFC-72X144	6'-0" x 12'-0" x 7'-5"	1130	1220	1410
EFC-72X168	6'-0" x 14'-0" x 7'-5"	1420	1520	1820
EFC-96X48	8'-0" x 4'-0" x 7'-6"	720	780	910
EFC-96X72	8'-0" x 6'-0" x 7'-6"	880	950	1100
EFC-96X96	8'-0" x 8'-0" x 7'-6"	1020	1100	1270
EFC-96X120	8'-0" x 10'-0" x 7'-6"	1180	1270	1460
EFC-96X144	8'-0" x 12'-0" x 7'-6"	1450	1550	1840
EFC-96X168	8'-0" x 14'-0" x 7'-6"	1740	1850	2170
EFC-120X48	10'-0" x 4'-0" x 7'-7"	840	910	1060
EFC-120X72	10'-0" x 6'-0" x 7'-7"	1010	1090	1260
EFC-120X96	10'-0" x 8'-0" x 7'-7"	1180	1270	1460
EFC-120X120	10'-0" x 10'-0" x 7'-7"	1500	1620	1880
EFC-120X144	10'-0" x 12'-0" x 7'-7"	1780	1920	2200
EFC-120X168	10'-0" x 14'-0" x 7'-7"	2080	2240	2540
EFC-144X48	12'-0" x 4'-0" x 7'-8"	970	1050	1220
EFC-144X72	12'-0" x 6'-0" x 7'-8"	1130	1220	1410
EFC-144X96	12'-0" x 8'-0" x 7'-8"	1450	1550	1820
EFC-144X120	12'-0" x 10'-0" x 7'-8"	1810	1940	2220
EFC-144X144	12'-0" x 12'-0" x 7'-8"	2120	2270	2570
EFC-144X168	12'-0" x 14'-0" x 7'-8"	2330	2500	2820
EFC-168X48	14'-0" x 4'-0" x 7'-9"	1080	1170	1360
EFC-168X72	14'-0" x 6'-0" x 7'-9"	1270	1370	1580
EFC-168X96	14'-0" x 8'-0" x 7'-9"	1740	1850	2130
EFC-168X120	14'-0" x 10'-0" x 7'-9"	2070	2230	2500
EFC-168X144	14'-0" x 12'-0" x 7'-9"	2240	2420	2710
EFC-168X168	14'-0" x 14'-0" x 7'-9"	2970	3170	3480

*Notes:*

1. Above sizes are overall exterior dimensions.
2. Standard eave height (for buildings with a peaked roof) is 7'-0". Standard slope of roof is 1": 12".
3. All dimensions are available in nonstandard sizes.
4. Standard overall wall thickness is 2" (at perimeter).

**ORDERING INFORMATION**

When ordering please provide the following information:

- Model # and size of building.
- Color of building.
- Door swing.
- Optional equipment items – please furnish drawing detailing locations.

If your building was quoted direct by EFC please advise quotation number. This will greatly reduce the amount of information required during order placement.

## OPTIONAL EQUIPMENT

- Color other than standard white on exterior
- Flame resistant construction
- Insulated fiberglass floor
- Wall partition
- Additional doors
- Panic hardware (replaces standard lockset)
- Door closer (replaces standard stop chain)
- Door window (12" x 12" lexan is standard)
- Fixed or sliding wall windows
- Lighting – incandescent or fluorescent & HPS, etc.
- Exhaust fan (CFM as required) with shutter and a fiberglass canopy with insect screen
- Air intake vent (size as required) – manually adjustable, automatic or motorized, with a fiberglass canopy with insect screen
- Control switches:
  - Toggle switch – interior or exterior
  - Door activated micro (limit) switch
  - Remote thermostat
- Heater with built-in thermostat (wattage as required)
- Air conditioner (BTU's as required)
- Duplex outlet receptacle – interior or exterior
- Circuit breaker load center with branch breakers (amps, type, size, etc., as required)
- Wiring in rigid schedule 40 PVC conduit (or as required)
- Fiberglass shelving
- Mounting channel
- Reinforcement in wall or ceiling
- Cut-out opening in wall or ceiling
- Stainless steel lifting eyes
- Stainless steel anchor bolts
- Explosion proof electrical equipment
- Other equipment as required
- See drawing #EFCS-

## SAMPLE SPECIFICATIONS

A modular type fiberglass building shall be supplied and installed to house the \_\_\_\_\_ as shown on the specification drawings.

The building size shall be \_\_\_\_\_ wide X \_\_\_\_\_ deep X \_\_\_\_\_ high overall ( \_\_\_\_\_ high at eaves or back wall). Roof to be peaked (or sloped), have a 2" overhang all around and be provided with four (4) cadmium plated lifting eyes.

Building shall be of fiberglass composite construction. Building panels shall be fabricated from a structural wooden framework having high grade fiberglass reinforced plastic sheeting material (min. .090" thick) fastened and bonded to each side. Panels shall be insulated with 1½" thick self extinguishing foam having a density of 2.0#/cu. ft., K-factor of .14 and an R-value of 10.65. Insulation shall be chemically bonded to structural framework and fiberglass sheeting material. PVC trim shall be bonded to perimeter edges of panels to completely seal panels against moisture and insects. All fasteners required to connect building panels together shall be non-corrosive.

Color of building to be standard white. White color shall be pigmented throughout the thickness of the fiberglass sheeting material. An ultraviolet stabilizer shall be added to retard discoloration.

Building shall be provided with a 36" wide X 78" high (O.I.C) flush-fitting single door. Door to be of fiberglass composite construction, be mounted within an integral fiberglass frame, be provided with neoprene gasket (weatherstripping) and non-corrosive hardware – see door construction/hardware for standard door hardware.

Building shall be supplied with an adequate number of stainless steel base mounting flanges, predrilled for ½" diameter anchor bolts (anchor bolts to be supplied and installed by contractor). Closed cell neoprene rubber base mounting gasket shall be furnished to seal building to foundation.

Building shall be designed to withstand 90 MPH wind load and 30 PSF snow load. Building shall be preassembled at factory and shipped in assembled form (or in knocked-down form for reassembly by contractor at job-site).

Optional equipment to include:

Building shall be model #EFC-\_\_\_\_\_ X \_\_\_\_\_ as manufactured by Engineered Fiberglass Composites Inc., New Lisbon, WI.



CONTACT EFC FOR OTHER PRODUCT LITERATURE



301 BICKFORD STREET  
NEW LISBON, WISCONSIN 53950-1524  
608-562-5900 FAX 608-562-5909

WEBSITE: [www.engineeredfiberglass.com](http://www.engineeredfiberglass.com)  
EMAIL: [efcinc@mwt.net](mailto:efcinc@mwt.net)