

Natural Gas & Propane Regulators

P32 Superior regulation and excellent stability make the P32 Regulator ideal for lower flow applications. Square head adjustment screw allows for easy in-field calibration. The P32 is available with handwheel adjustment, output pressure gauge and/or mounting bracket as options. The use of a relief valve is recommended for this product in accordance with NFPA 58.

- 60-mesh screen
- UL listed (Standard P32)
- NACE construction available
- Harmful particles blocked
- Non-Relieving

P36 This reliable precision preset regulator is ordered with the exact pressure regulation required. Ideal for areas requiring tamper resistant components or where incidental re-adjustment is a concern. The use of a relief valve is recommended for this product in accordance with NFPA 58.

- 60-mesh screen
- Dripwell option
- UL listed (Standard P36)
- NACE construction available
- Harmful particles blocked
- Release undesirable moisture
- Non-Relieving

P37 The P37 contains many of the same characteristics as the P38, but at a reduced price. At 110 SCFM (16.5 Mbtu/hr), the P37 offers flow rates comparable to current market suppliers. The use of a relief valve is recommended for this product in accordance with NFPA 58.

- Balanced pintle design
- Bubble tight/non-relieving
- 16.5 Mbtu/hr. (110 scfm)
- UL listed
- Bellofram Rolling Diaphragm
- High flow capacity
- Enclosed space use
- High volume applications
- Non-Relieving

P38 The P38 uses a patented balanced pintle design which eliminates unsteady changes in outlet pressure due to inlet pressure fluctuations. The P38 is a spring opposed, diaphragm - operated, non-relieving regulator. The use of a relief valve is recommended for this product in accordance with NFPA 58.

- Balanced pintle design
- Bubble tight/non-relieving
- 27 Mbtu/hr (260 scfm)
- UL listed
- Bellofram Rolling Diaphragm
- Exceptional flow capacity
- Enclosed space use
- High volume applications
- Minimal effect on output pressure from variation of supply pressure

Applications

- Pneumatic Controllers
- Valve Positioners
- Actuation
- Fuel Gas
- Compressed Air

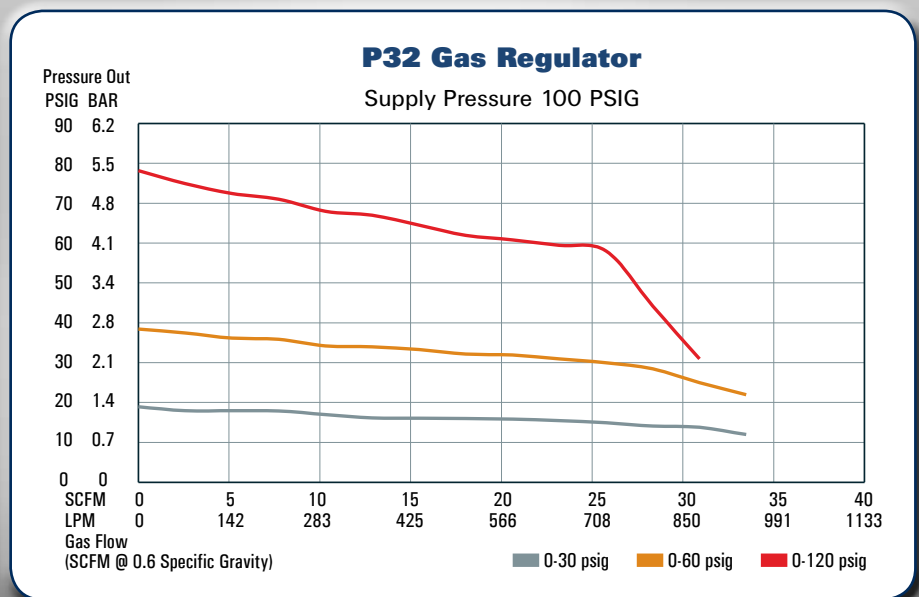


Specifications

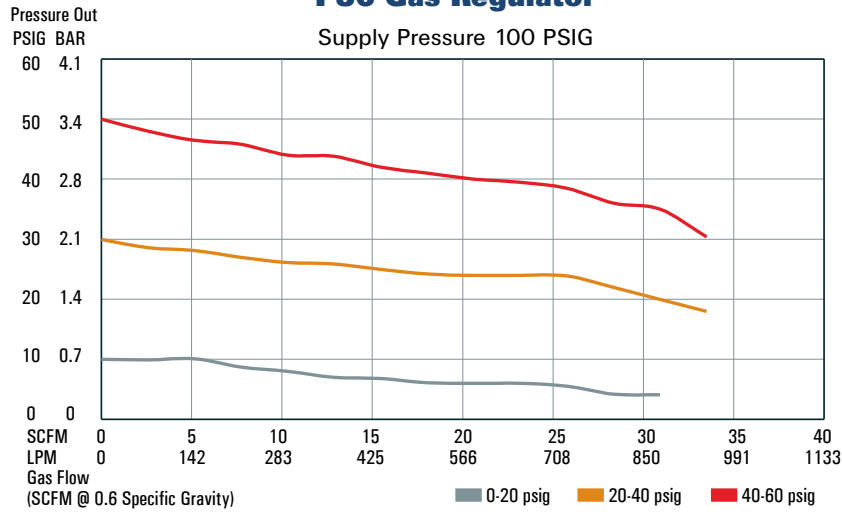
| | P32 | P36 | P37 | P38 |
|---------------------------|--|--|--|---|
| Sensitivity | 1" water column | 1" water column | 1" water column | 1/2" water column |
| Max. Inlet Pressure | 250 PSIG (17 BAR) | 250 PSIG (17 BAR) | 400 PSIG (28 BAR) | 400 PSIG (28 BAR) |
| Port Size | 1/4 NPT | 1/4 NPT | 1/2, 3/4 NPT | 3/8, 1/2, 3/4, 1 NPT |
| Outlet Ranges | 0-10, 0-30, 0-60, 0-120 PSIG (0-0.7, 0-2, 0-4, 0-8 BAR) | 0-20, 20-40, 40-60 PSIG (0-1.4, 1.4-2.8, 2.8-4 BAR) | 0-10, 0-30, 0-60, 0-125 PSIG (0-0.7, 0-2, 0-4, 0-8 BAR) | 0-30, 0-60, 0-125 PSIG (0-2, 0-4, 0-8 BAR) |
| Adjustment | Adjustment Screw | None | T-Bar | T-Bar |
| Materials of Construction | Aluminum, Brass, Plated Steel, Buna-N | Aluminum, Brass, Plated Steel, Buna-N | Zinc, Aluminum, Plated Steel, Buna-N, Brass | Zinc, Aluminum, Plated Steel, Buna-N, Brass |
| Diaphragm Material | Nitrile Elastomer with Polyester Fabric | Nitrile Elastomer with Polyester Fabric | Nitrile Elastomer with Polyester Fabric | Nitrile Elastomer with Polyester Fabric |
| Approximate Weight | 0.85 lbs, 0.38 kg | 0.70 lbs, 0.32 kg | 1.4 lbs, 0.63 kg | 5.0 lbs, 2.25 kg |

P32, 36, 37 & 38 Part Matrix

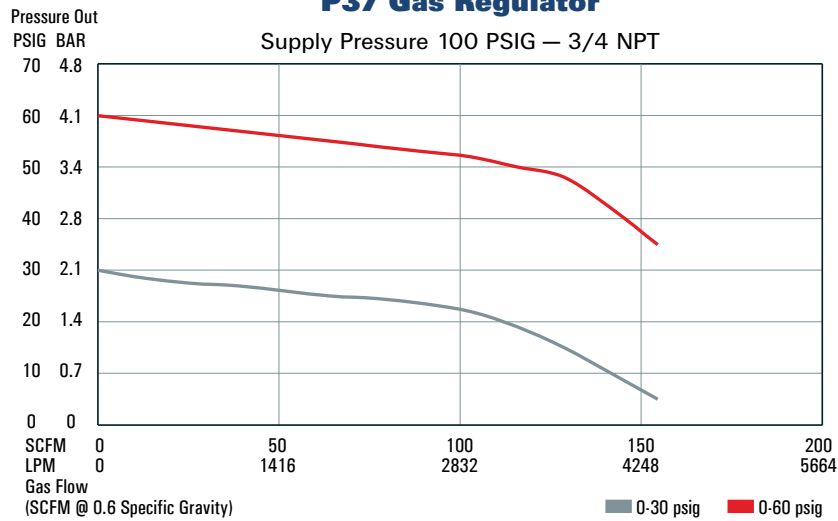
| P0 | | | | | | | 0 | 0 | 0 |
|----|------------|---|---|---|---|---|---|---|---|
| | ↑ | ↑ | ↑ | ↑ | ↑ | ↑ | | | |
| | 32 | | | | | | | | Regulator P32 regulators |
| | 36 | | | | | | | | P36 regulators |
| | 37 | | | | | | | | P37 regulators |
| | 38 | | | | | | | | P38 regulators |
| | | | | | | | | | Body Size |
| | 02 | | | | | | | | 1/4" P32 & P36 only |
| | 03 | | | | | | | | 3/8" P38 only |
| | 04 | | | | | | | | 1/2" P37 & P38 only |
| | 06 | | | | | | | | 3/4" P37 & P38 only |
| | 08 | | | | | | | | 1" P38 only |
| | | | | | | | | | Spring Range (see 'NOTE' for P36) |
| | 010 | | | | | | | | 0-10 PSIG 0-0.7 BAR P32 & P37 only |
| | 030 | | | | | | | | 0-30 PSIG 0-2 BAR P32, P37, P38 |
| | 060 | | | | | | | | 0-60 PSIG 0-4.1 BAR P32, P37, P38 |
| | 120 | | | | | | | | 0-120 PSIG 0-8.3 BAR P32 only |
| | 125 | | | | | | | | 0-125 PSIG 0-8.6 BAR P37 & P38 only |
| | | | | | | | | | * NOTE: For P36 Enter the preset value in PSIG, Example: 10 PSIG = 010 Minimum Pressure = 2 PSIG Maximum Pressure = 60 PSIG |
| | | | | | | | | | Special Construction |
| | 0 | | | | | | | | None |
| | 1 | | | | | | | | Epoxy Paint P37 & P38 only |
| | 2 | | | | | | | | Tapped supply port for gauge P38 only |
| | 3 | | | | | | | | Both options 1 & 2 P38 only |
| | 4 | | | | | | | | PED Version (for EU) P32, P37 & P38 only |
| | 5 | | | | | | | | Tapped vent P32, P37 & P38 only |
| | 6 | | | | | | | | Options 1 & 5 P37 & P38 only |
| | | | | | | | | | Adjusting Method |
| | 0 | | | | | | | | No Option P36, P37 & P38 only |
| | 1 | | | | | | | | Adjusting Screw P32 only |
| | 2 | | | | | | | | Handwheel P32 only |
| | | | | | | | | | Versions |
| | 0 | | | | | | | | Standard |
| | N | | | | | | | | NACE P32 & P36 only |



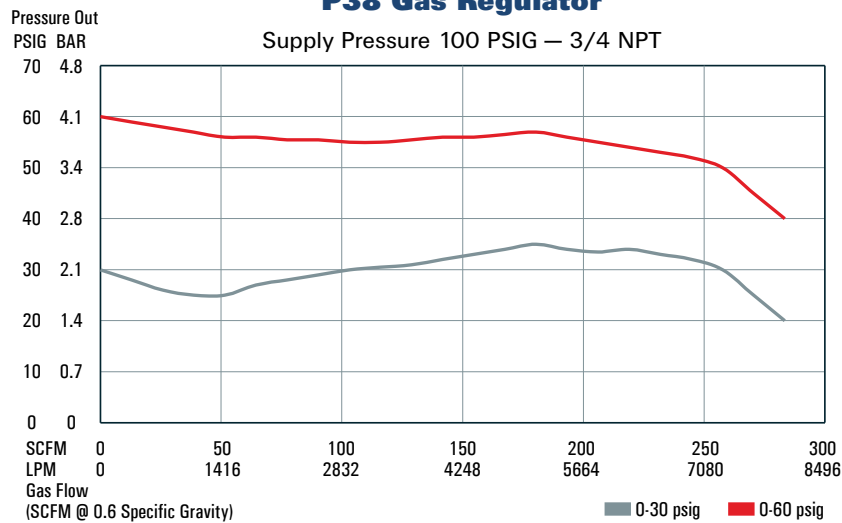
P36 Gas Regulator



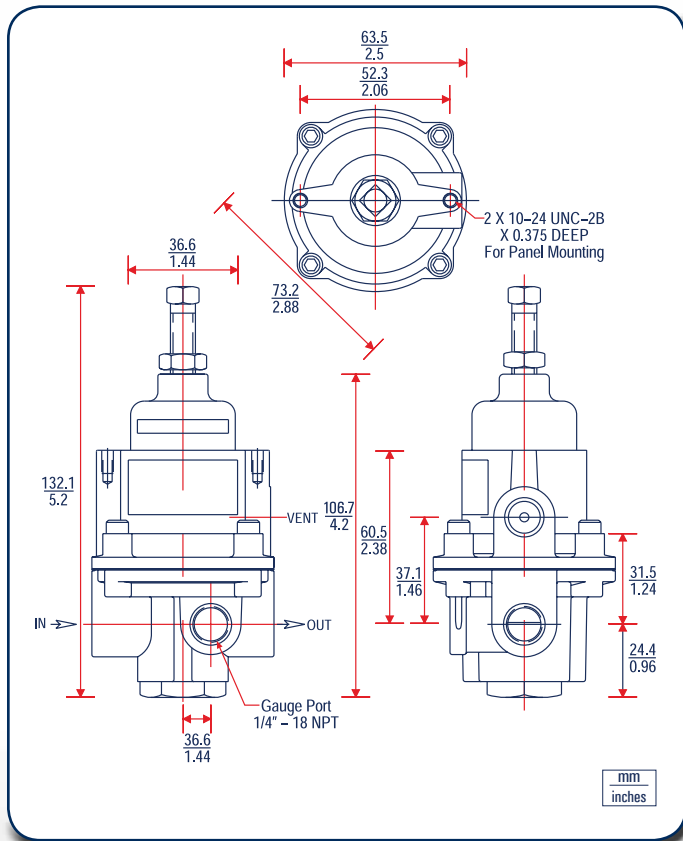
P37 Gas Regulator



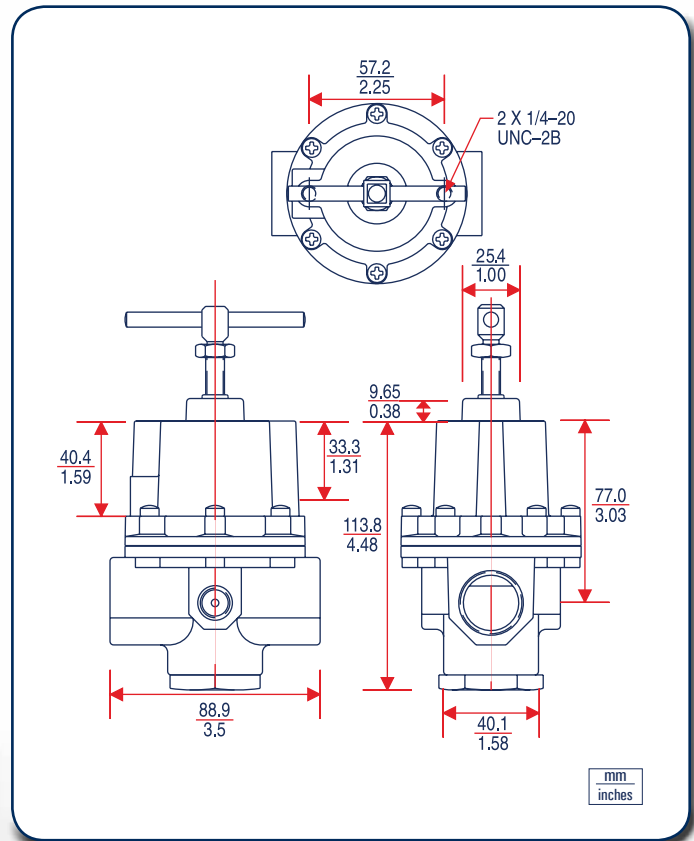
P38 Gas Regulator



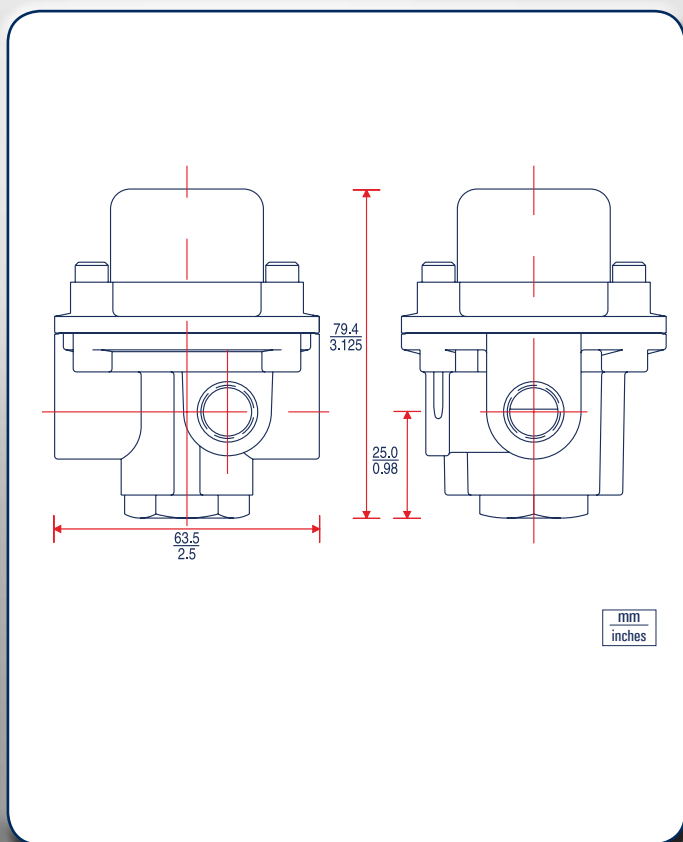
P32 Dimensions



P37 Dimensions



P36 Dimensions



P38 Dimensions

